

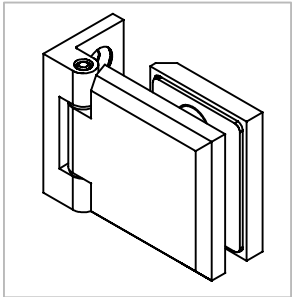
Technische Daten:  
Glastürscharnier - Suzanne

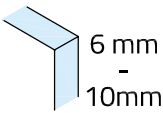
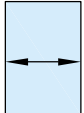


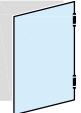
Datasheet:  
Glass door hinge - Suzanne

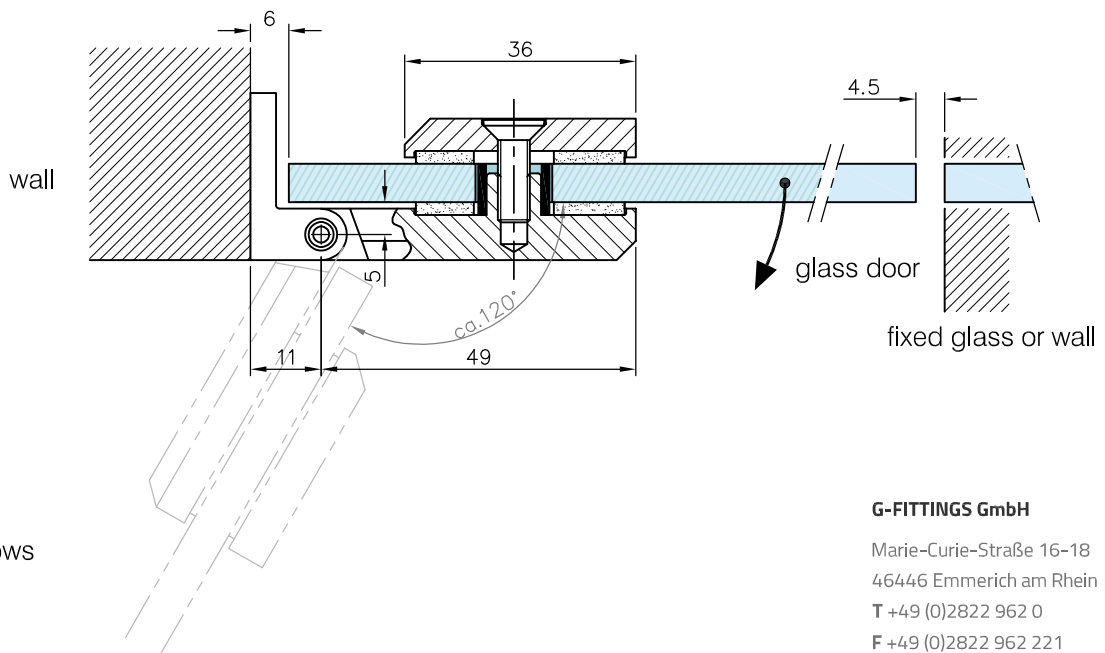
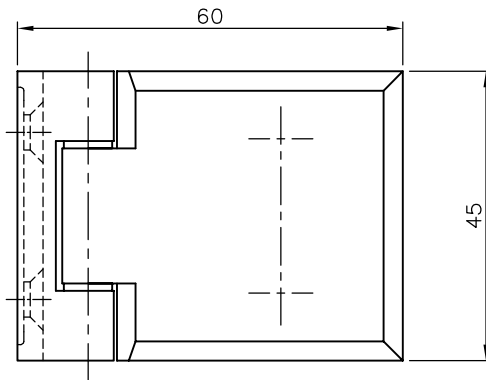
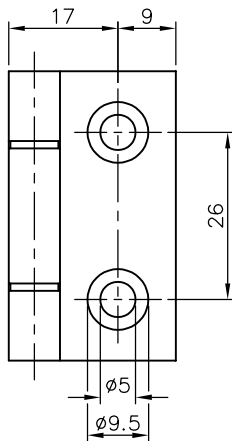
Art. 41.0306.000.10

Art. 41.0306.000.12

Art. 41.0306.000.26



<b>Ausführung:</b> Options:	 6 mm - 10mm	 900 mm max.	 45 kg max.	 DIN links/left +  DIN rechts/right
	<b>Material:</b> Material:	V2A Stainless steel AISI 304		<b>Gewicht: / Weight:</b> 0,253 kg
<b>Oberflächen:</b> Finish:	Edelstahl-Design Stainless steel design	Chrom-Design Chrome design	Anthrazit-Design Anthracite design	



\*drawing shows  
6mm glass

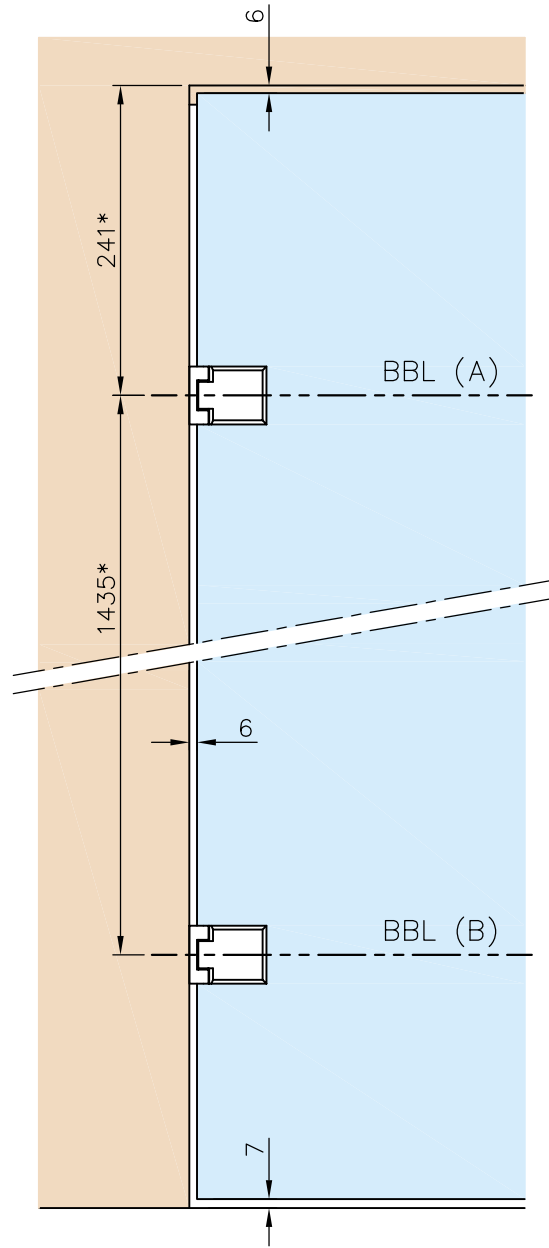
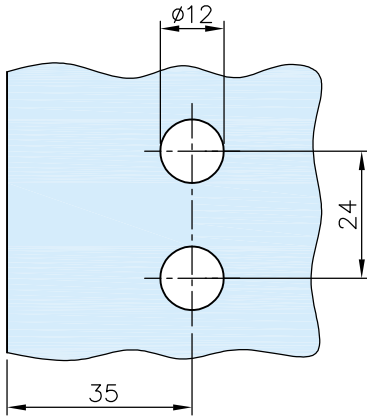
**G-FITTINGS GmbH**

Marie-Curie-Straße 16-18  
46446 Emmerich am Rhein  
T +49 (0)2822 962 0  
F +49 (0)2822 962 221  
E sales@g-fittings.com

Art. 41.0306.000.10  
 Art. 41.0306.000.12  
 Art. 41.0306.000.26

Stand 03.2022

Glasbearbeitung:  
 Glass preparation:



(no scaled view)

Empfehlungsmaße entsprechend \*DIN 18268  
 Recommended dimensions according to \*DIN 18268

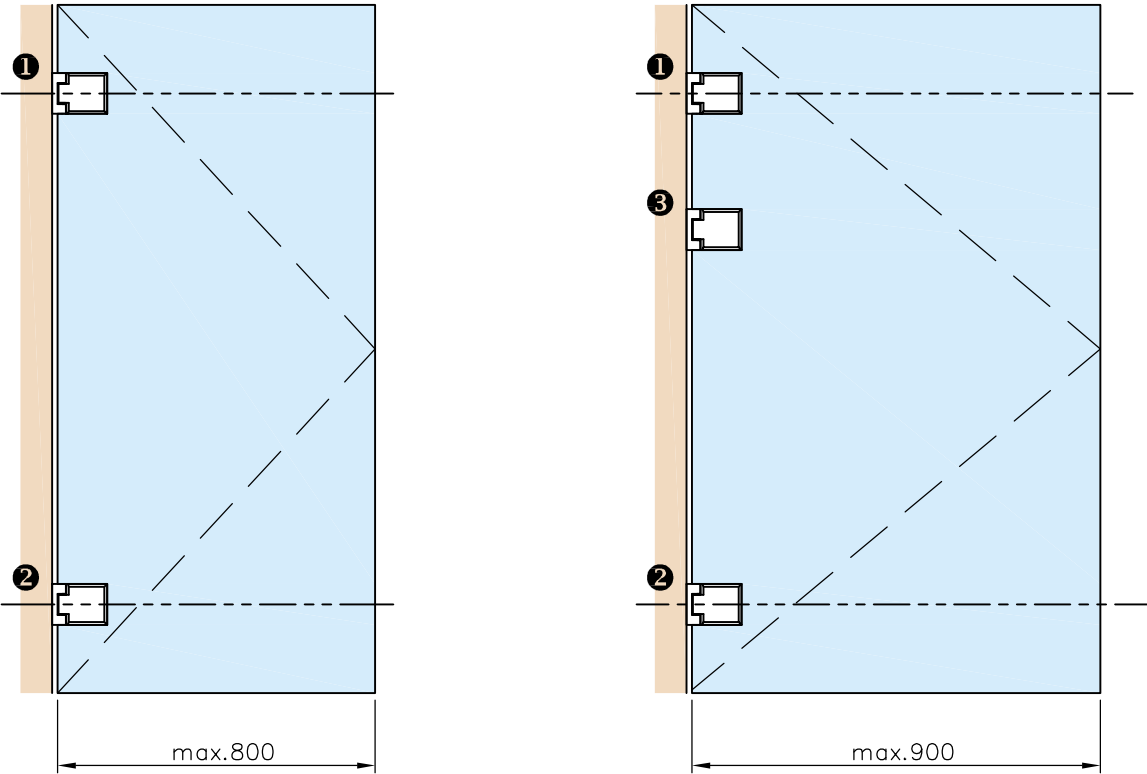
<i>Glastürhöhe</i> <i>Glass door height</i>	<i>Abstand</i> <i>Zargenfalz - BBL(A)</i> <i>distance</i> <i>frame rebate - BBL(A)</i>	<i>Abstand</i> <i>BBL(A) - BBL(B)</i> <i>distance</i> <i>BBL(A) - BBL(B)</i>
1860 mm - 2110 mm	241 +1 mm	1435 mm ±0,5 mm
2111 mm - 2235 mm	241 +1 mm	1560 mm ±0,5 mm
2236 mm - 2360 mm	241 +1 mm	1685 mm ±0,5 mm

G-FITTINGS GmbH

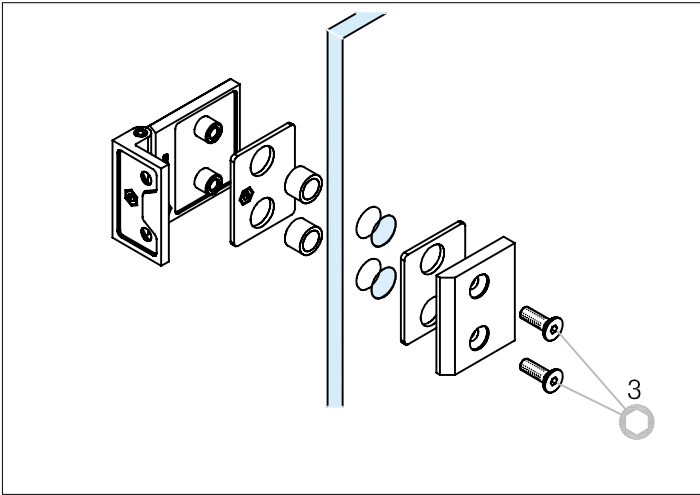
Marie-Curie-Straße 16-18  
 46446 Emmerich am Rhein  
 T +49 (0)2822 962 0  
 F +49 (0)2822 962 221  
 E sales@g-fittings.com

Art. 41.0306.000.10  
 Art. 41.0306.000.12  
 Art. 41.0306.000.26

Breite/Ausladung:  
 Width/extension:



(no scaled view)



**G-FITTINGS GmbH**  
 Marie-Curie-Straße 16-18  
 46446 Emmerich am Rhein  
 T +49 (0)2822 962 0  
 F +49 (0)2822 962 221  
 E sales@g-fittings.com