

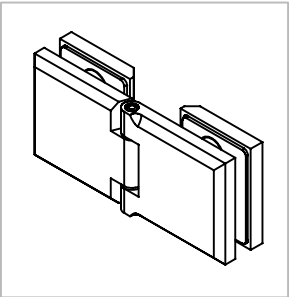
Technische Daten:
Glastürscharnier - Suzanne

Datasheet:
Glass door hinge - Suzanne

Art. 41.0305.000.10

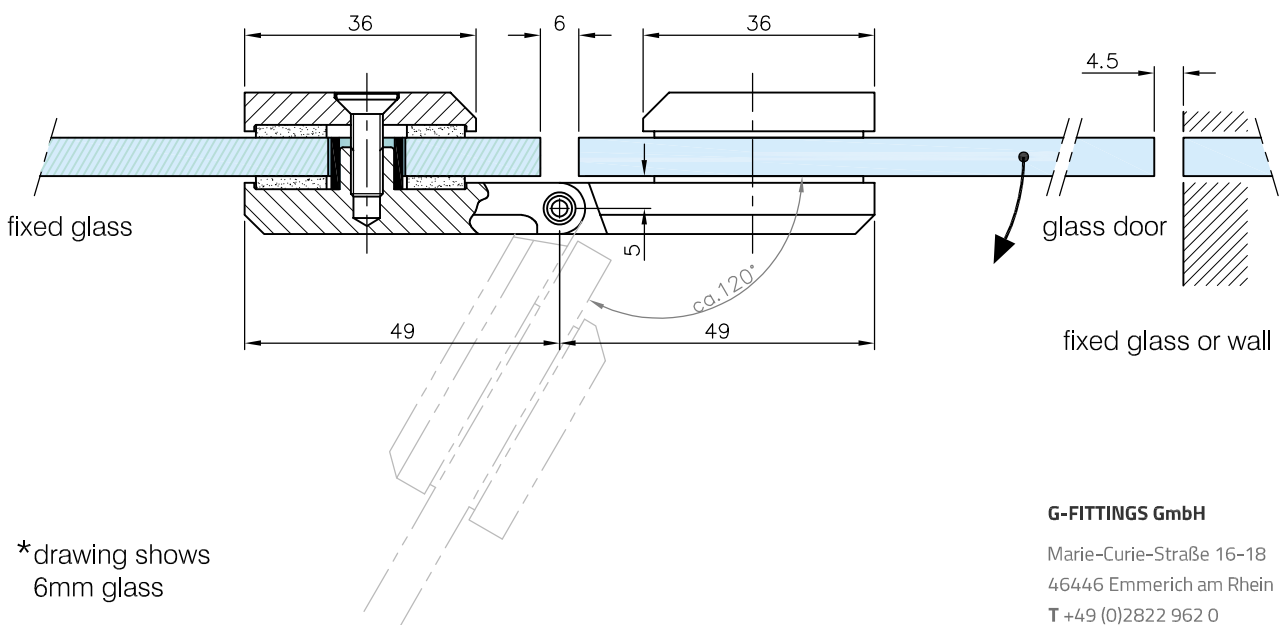
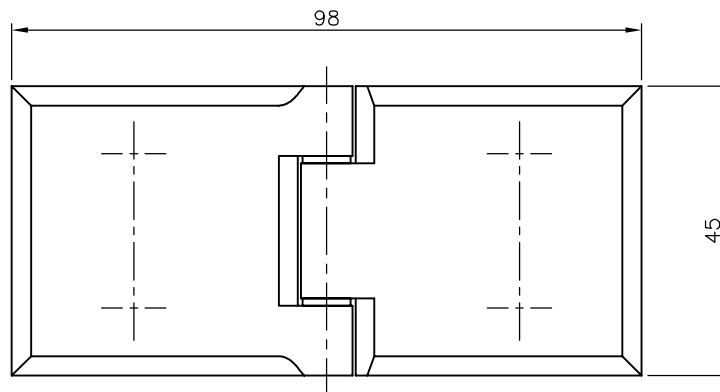
Art. 41.0305.000.12

Art. 41.0305.000.26



Ausführung: 6 mm - 10mm 900 mm max. 45 kg max. DIN links/left + DIN rechts/right

Material:	V2A	Gewicht: / Weight: 0,411 kg		
Material:	Stainless steel AISI 304			
Oberflächen:	Edelstahl-Design	Chrom-Design	Anthrazit-Design	
Finish:	Stainless steel design	Chrome design	Anthracite design	



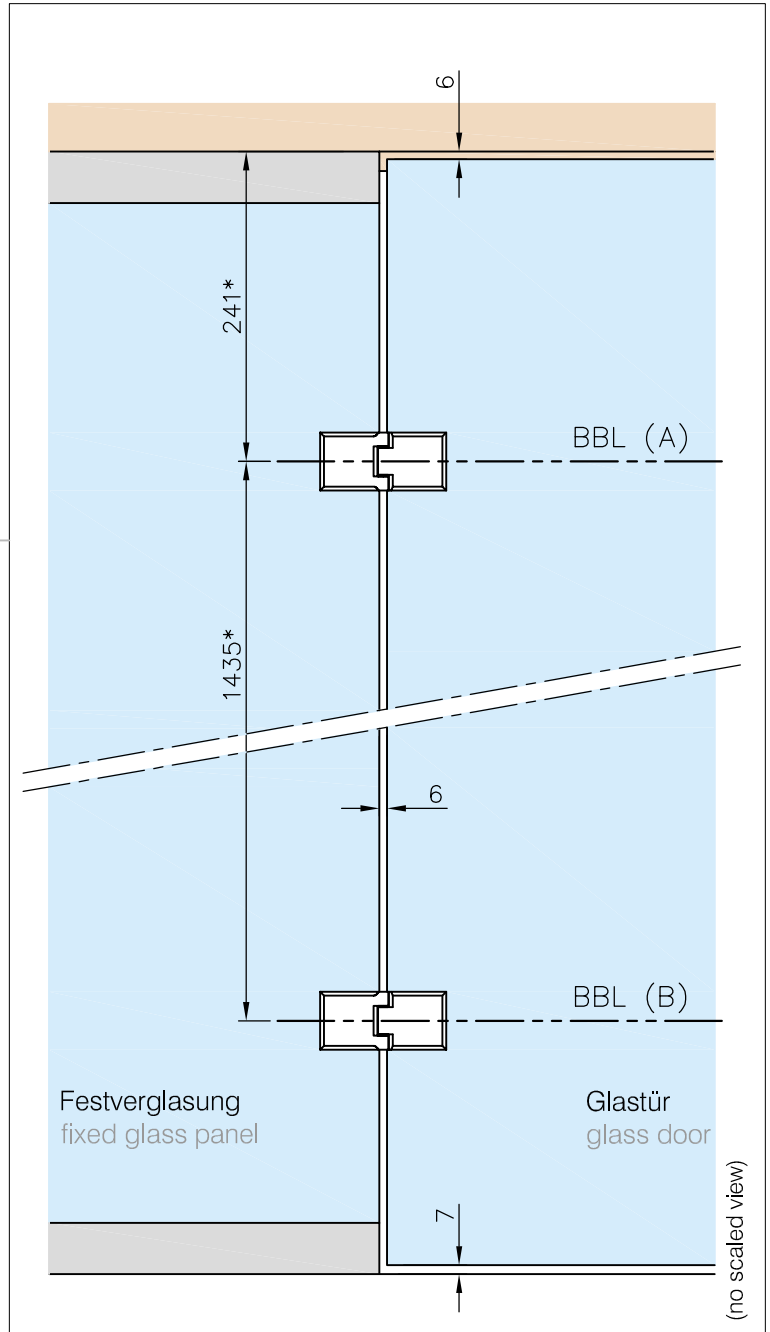
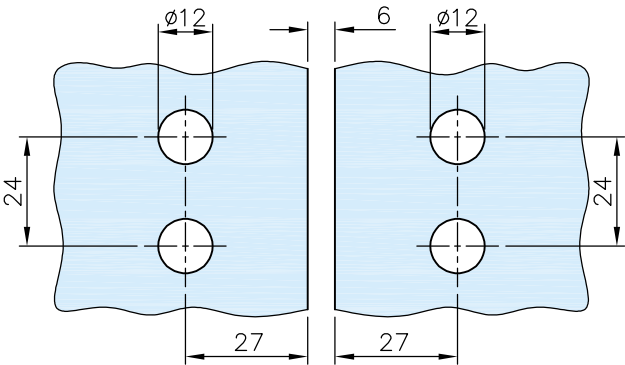
*drawing shows 6mm glass

G-FITTINGS GmbH

Marie-Curie-Straße 16-18
46446 Emmerich am Rhein
T +49 (0)2822 962 0
F +49 (0)2822 962 221
E sales@g-fittings.com

Art. 41.0305.000.10
 Art. 41.0305.000.12
 Art. 41.0305.000.26

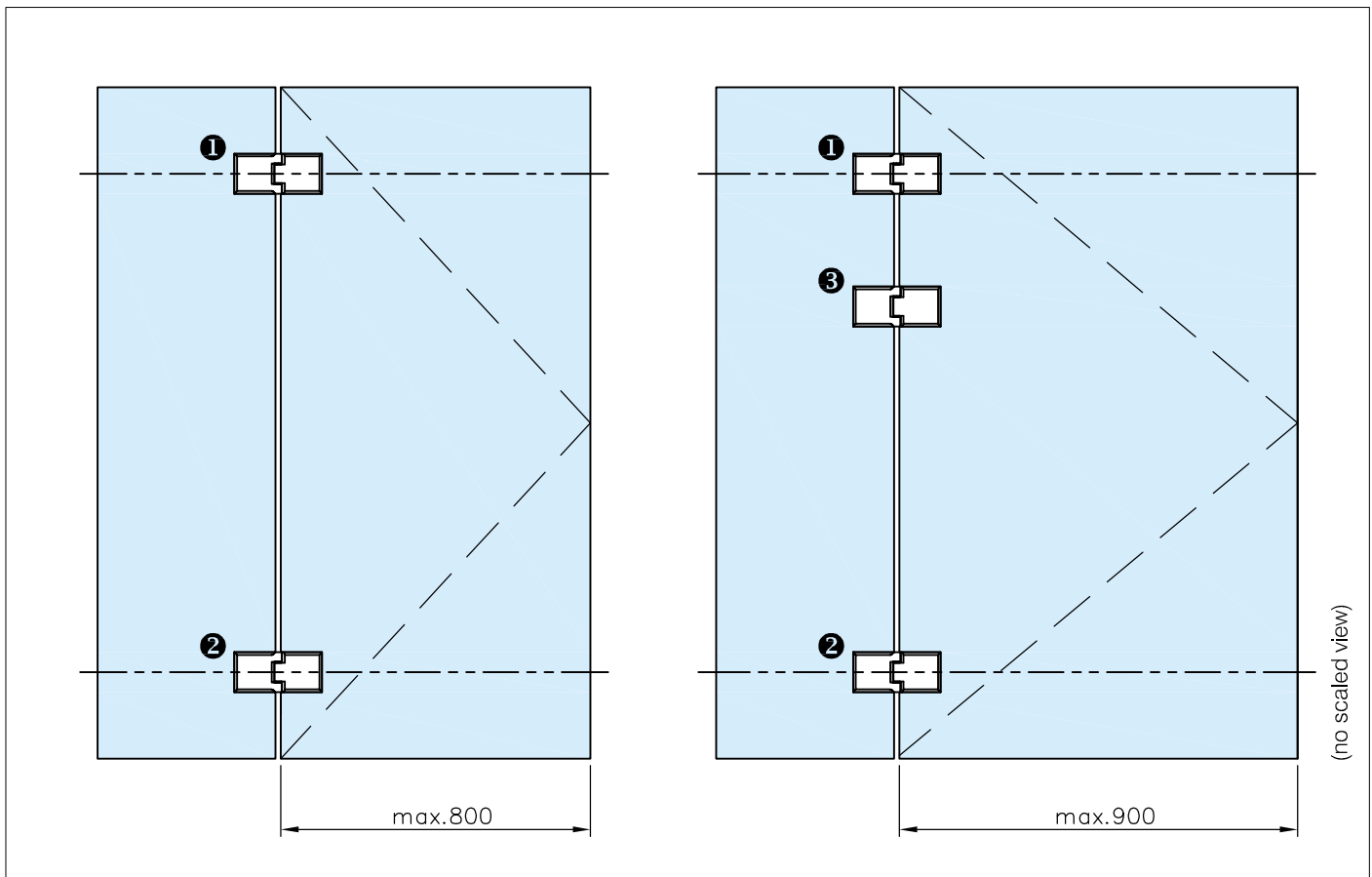
Glasbearbeitung:
 Glass preparation:



Empfehlungsmaße entsprechend *DIN 18268 Recommended dimensions according to *DIN 18268		
Glastürhöhe Glass door height	Abstand Zargenfalz - BBL(A) distance frame rebate - BBL(A)	Abstand BBL(A) - BBL(B) distance BBL(A) - BBL(B)
1860 mm - 2110 mm	241 +1 mm	1435 mm ±0,5 mm
2111 mm - 2235 mm	241 +1 mm	1560 mm ±0,5 mm
2236 mm - 2360 mm	241 +1 mm	1685 mm ±0,5 mm

Art. 41.0305.000.10
Art. 41.0305.000.12
Art. 41.0305.000.26

Breite/Ausladung:
Width/extension:



G-FITTINGS GmbH

Marie-Curie-Straße 16-18
46446 Emmerich am Rhein
T +49 (0)2822 962 0
F +49 (0)2822 962 221
E sales@g-fittings.com