

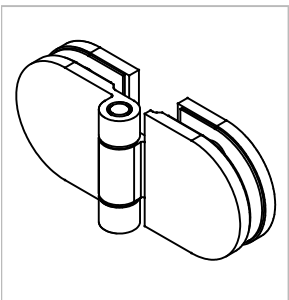
Technische Daten:  
 Glastürscharnier - Aksun




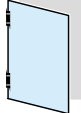
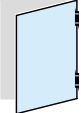
 Datasheet:  
 Glass door hinge - Aksun

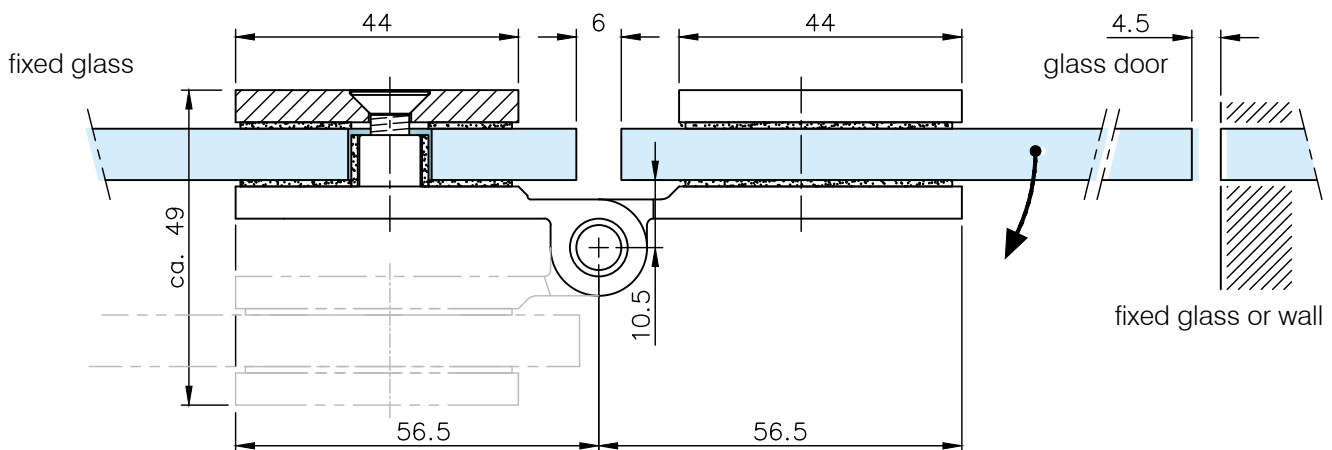
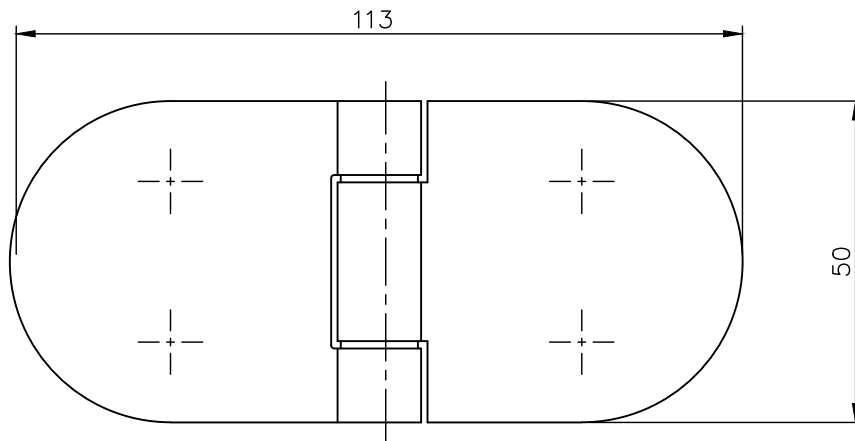
Art. 41.0201.000.10

Art. 41.0201.000.12

Art. 41.0201.000.26



<b>Ausführung:</b> Options:	 6 mm - 10mm	 800 mm max.	 45 kg max.	 DIN links/left + DIN rechts/right	
	<b>Material:</b> Material:	V2A Stainless steel AISI 304		<b>Gewicht: / Weight:</b> 0,423 kg	
<b>Oberflächen:</b> Finish:	Edelstahl-Design Stainless steel design	Chrom-Design Chrome design	Anthrazit-Design Anthracite design		

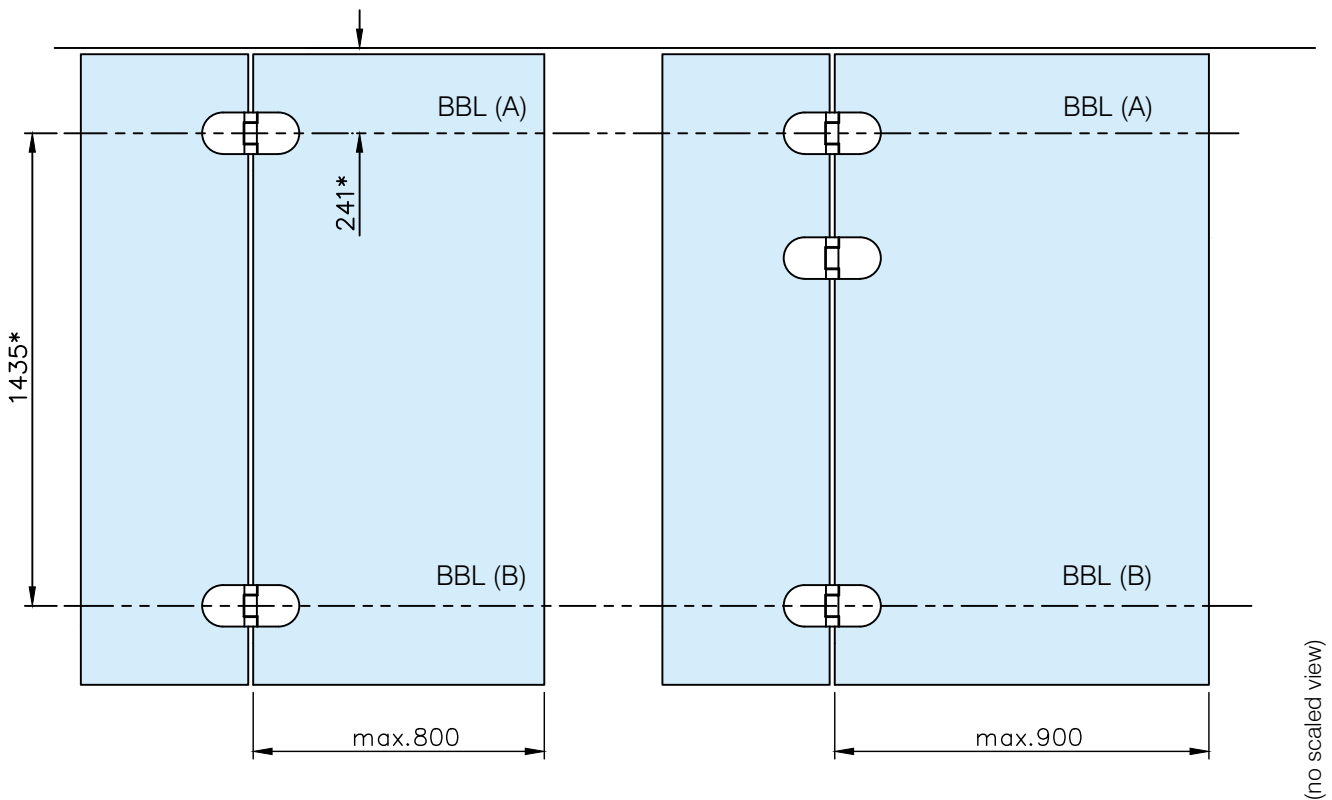
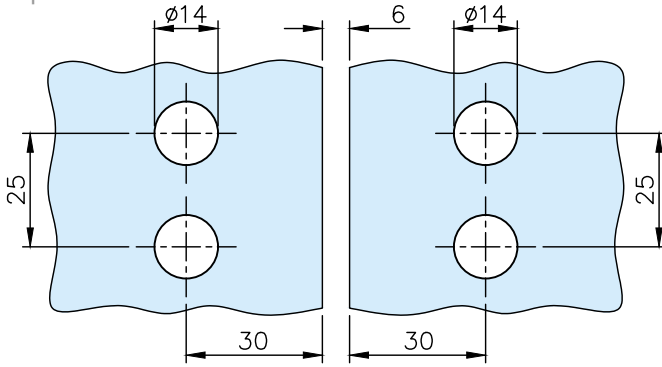

 \*drawing shows  
 8mm glass

**G-FITTINGS GmbH**

 Marie-Curie-Straße 16-18  
 46446 Emmerich am Rhein  
 T +49 (0)2822 962 0  
 F +49 (0)2822 962 221  
 E sales@g-fittings.com

Art. 41.0201.000.10  
 Art. 41.0201.000.12  
 Art. 41.0201.000.26

Glasbearbeitung:  
 Glass preparation:



(no scaled view)

**G-FITTINGS GmbH**

Marie-Curie-Straße 16-18  
 46446 Emmerich am Rhein  
 T +49 (0)2822 962 0  
 F +49 (0)2822 962 221  
 E sales@g-fittings.com

Empfehlungsmaße entsprechend *DIN 18268 Recommended dimensions according to *DIN 18268		
<i>Glastürhöhe</i> Glass door height	<i>Abstand Zargenfalz - BBL(A)</i> distance frame rebate - BBL(A)	<i>Abstand BBL(A) - BBL(B)</i> distance BBL(A) - BBL(B)
1860 mm - 2110 mm	241 +1 mm	1435 mm ±0,5 mm
2111 mm - 2235 mm	241 +1 mm	1560 mm ±0,5 mm
2236 mm - 2360 mm	241 +1 mm	1685 mm ±0,5 mm