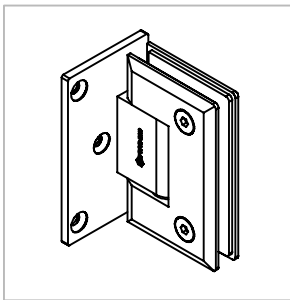


Technische Daten:  
Glastürscharnier - Akasha

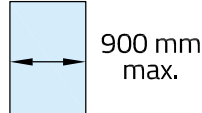
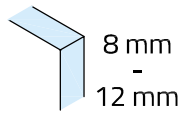
Datasheet:  
Glass door hinge - Akasha

Art. 41.3112.090.10  
Art. 41.3112.090.12

Stand 06.2022



Ausführung:  
Options:

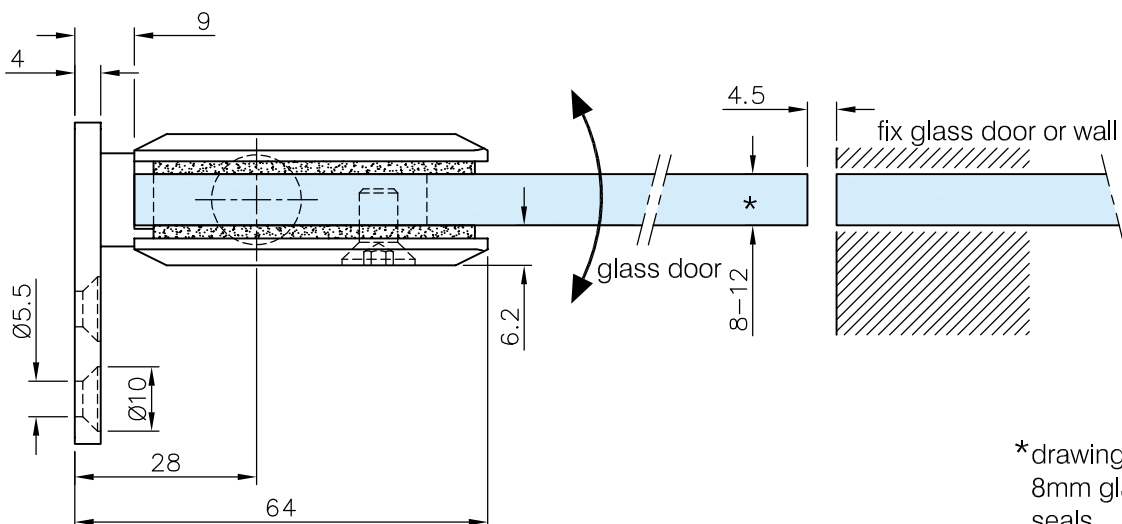
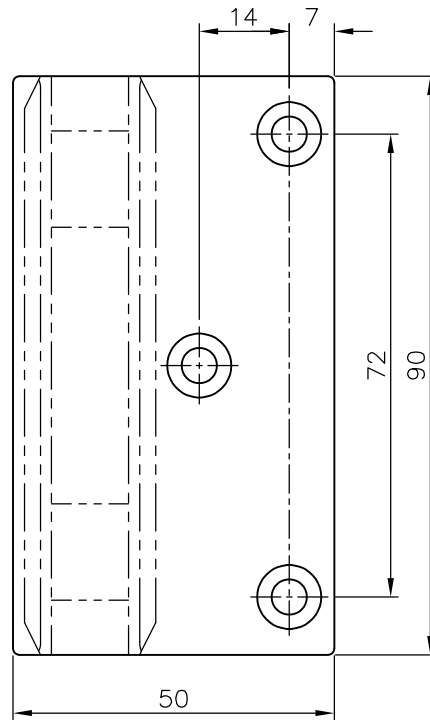
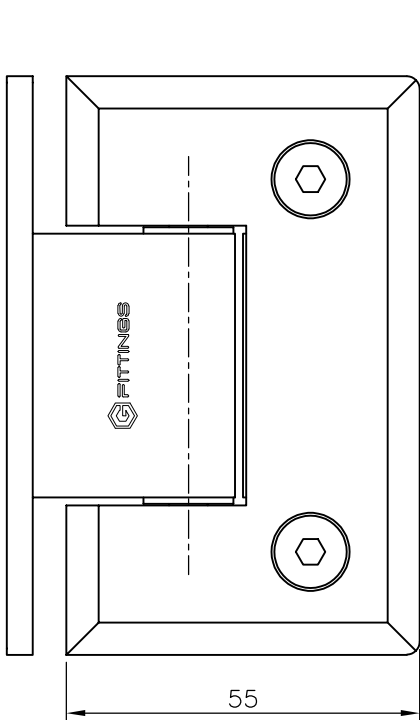


Material: V2A  
Material: Stainless steel AISI 304

Gewicht: / Weight: 0,6 kg

Oberflächen:  
Finish: Edelstahl-Design  
Stainless steel design

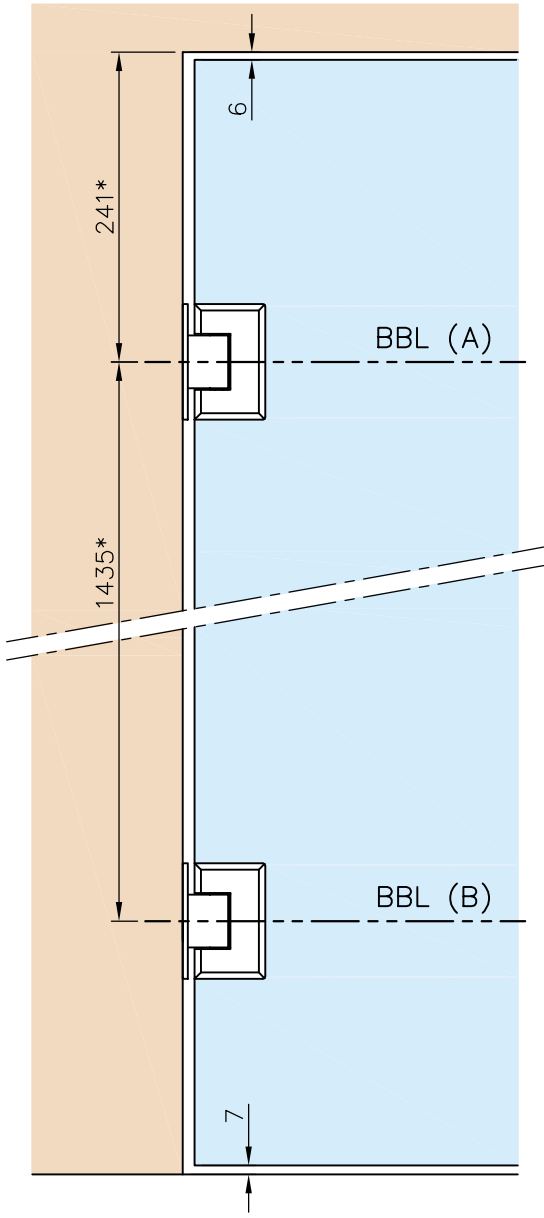
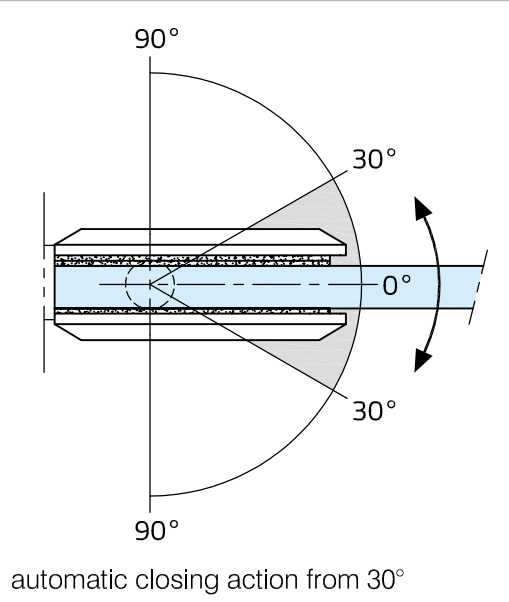
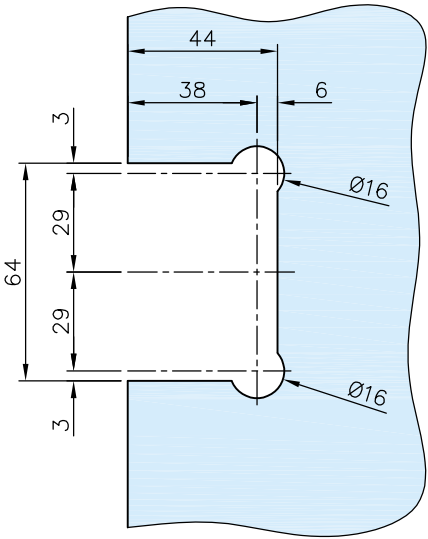
Chrom-Design  
Chrome design



\*drawing shows  
8mm glass without PVC  
seals

Art. 41.3112.090.10  
 Art. 41.3112.090.12

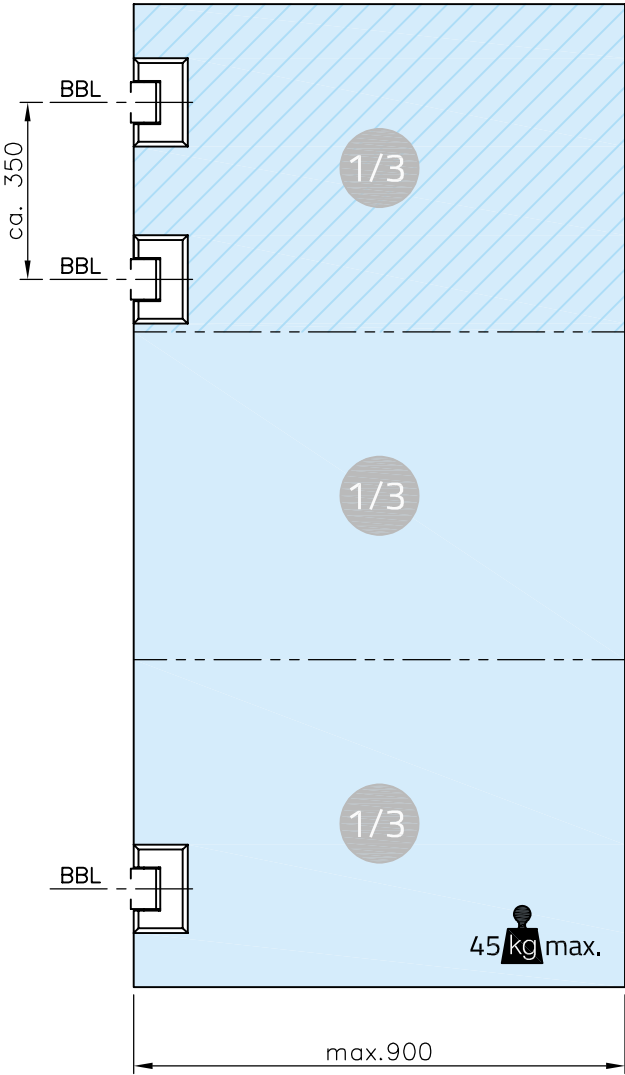
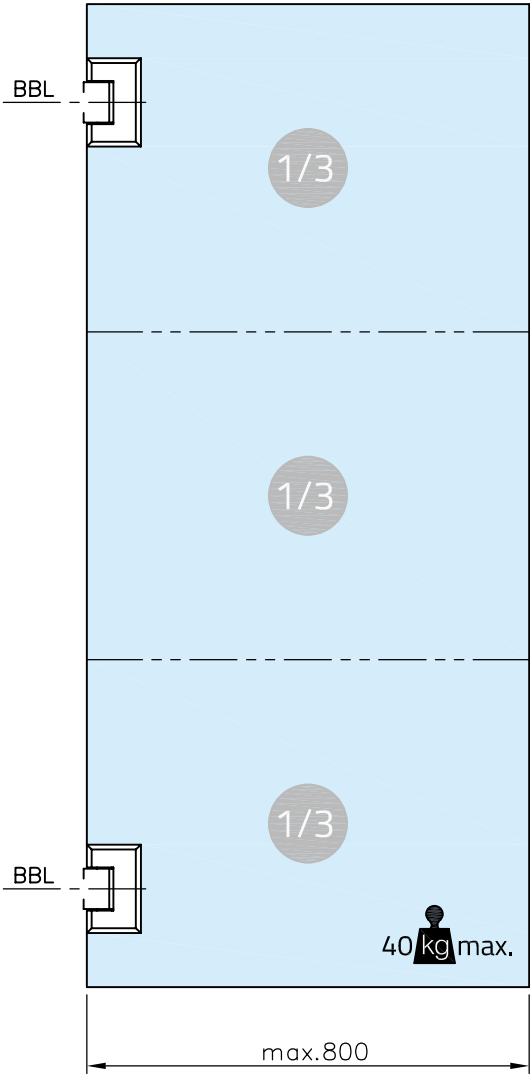
**Glasbearbeitung:**  
 Glass preparation:



| Empfehlungsmaße entsprechend *DIN 18268<br>Recommended dimensions according to *DIN 18268 |   |   |
|---|---|---|
| Glastürhöhe<br>Glass door height  | Abstand<br>Zargenfalz - BBL(A)<br>distance<br>frame rebate - BBL(A) | Abstand<br>BBL(A) - BBL(B)<br>distance<br>BBL(A) - BBL(B) |
| 1860 mm - 2110 mm   | 241 +1 mm   | 1435 mm ±0,5 mm   |
| 2111 mm - 2235 mm   | 241 +1 mm   | 1560 mm ±0,5 mm   |
| 2236 mm - 2360 mm   | 241 +1 mm   | 1685 mm ±0,5 mm   |

Art. 41.3112.090.10  
Art. 41.3112.090.12

Breite/Ausladung:  
Width/extension:



**G-FITTINGS GmbH**  
Marie-Curie-Straße 16-18  
46446 Emmerich am Rhein  
T +49 (0)2822 962 0  
F +49 (0)2822 962 221  
E sales@g-fittings.com