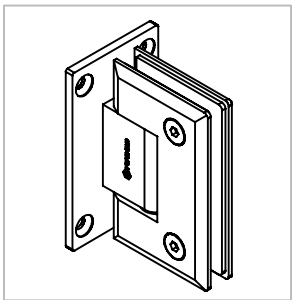


Technische Daten:
Glastürscharnier - Akasha

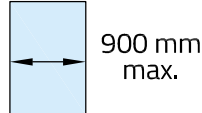
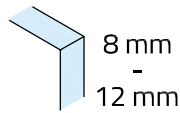
Datasheet:
Glass door hinge - Akasha

Art. 41.3012.090.10
Art. 41.3012.090.12

Stand 06.2022



Ausführung:
Options:

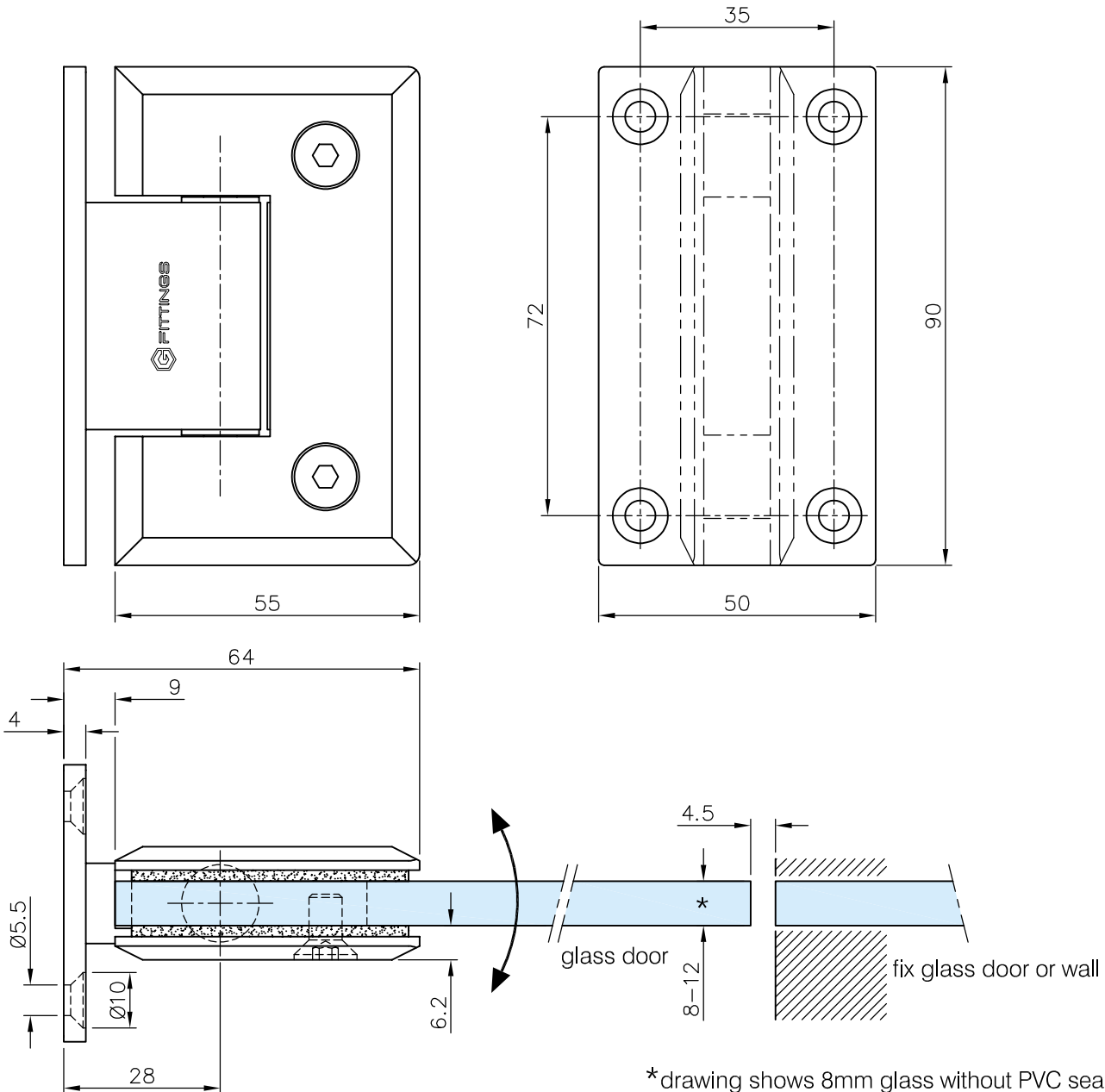


Material: V2A
Material: Stainless steel AISI 304

Gewicht: / Weight: 0,6 kg

Oberflächen: Edelstahl-Design
Finish: Stainless steel design

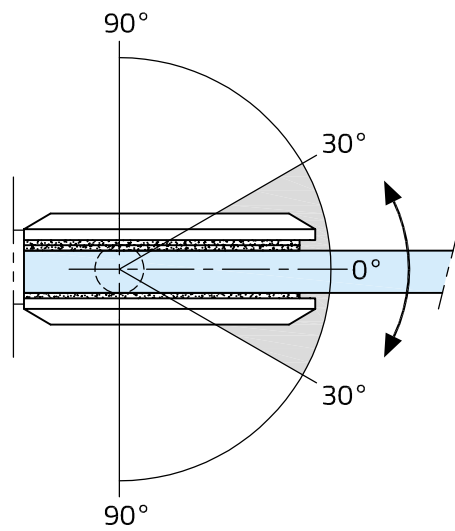
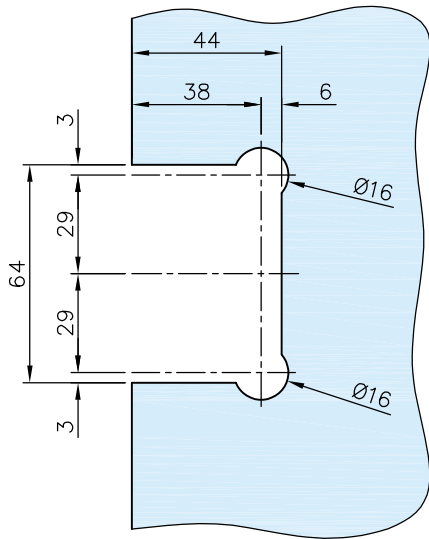
Chrom-Design
Chrome design



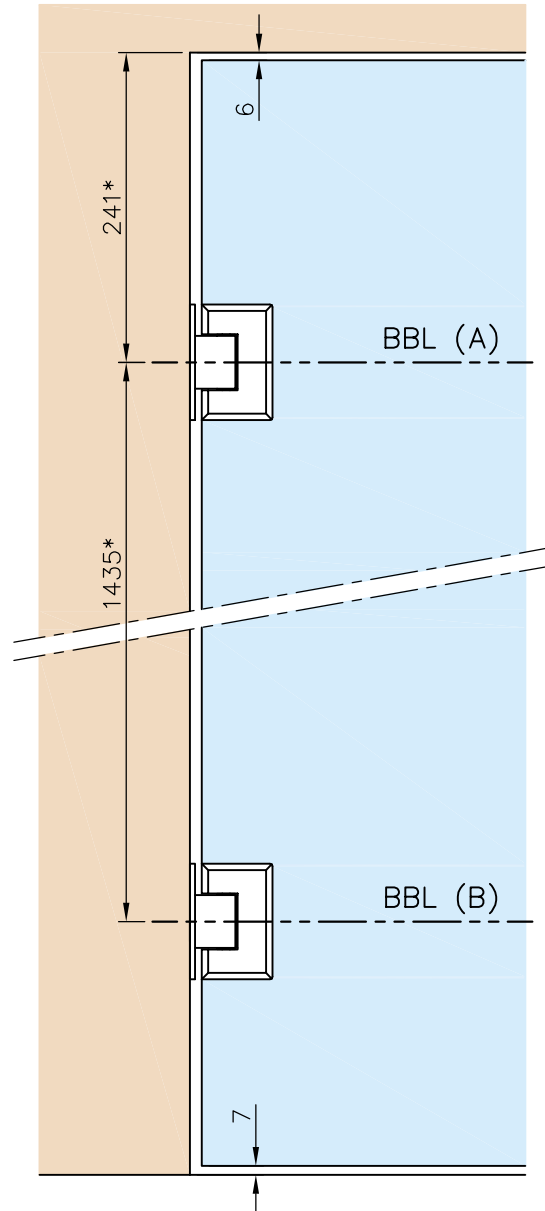
*drawing shows 8mm glass without PVC seals

Art. 41.3012.090.10
Art. 41.3012.090.12

Glasbearbeitung:
Glass preparation:



automatic closing action from 30°

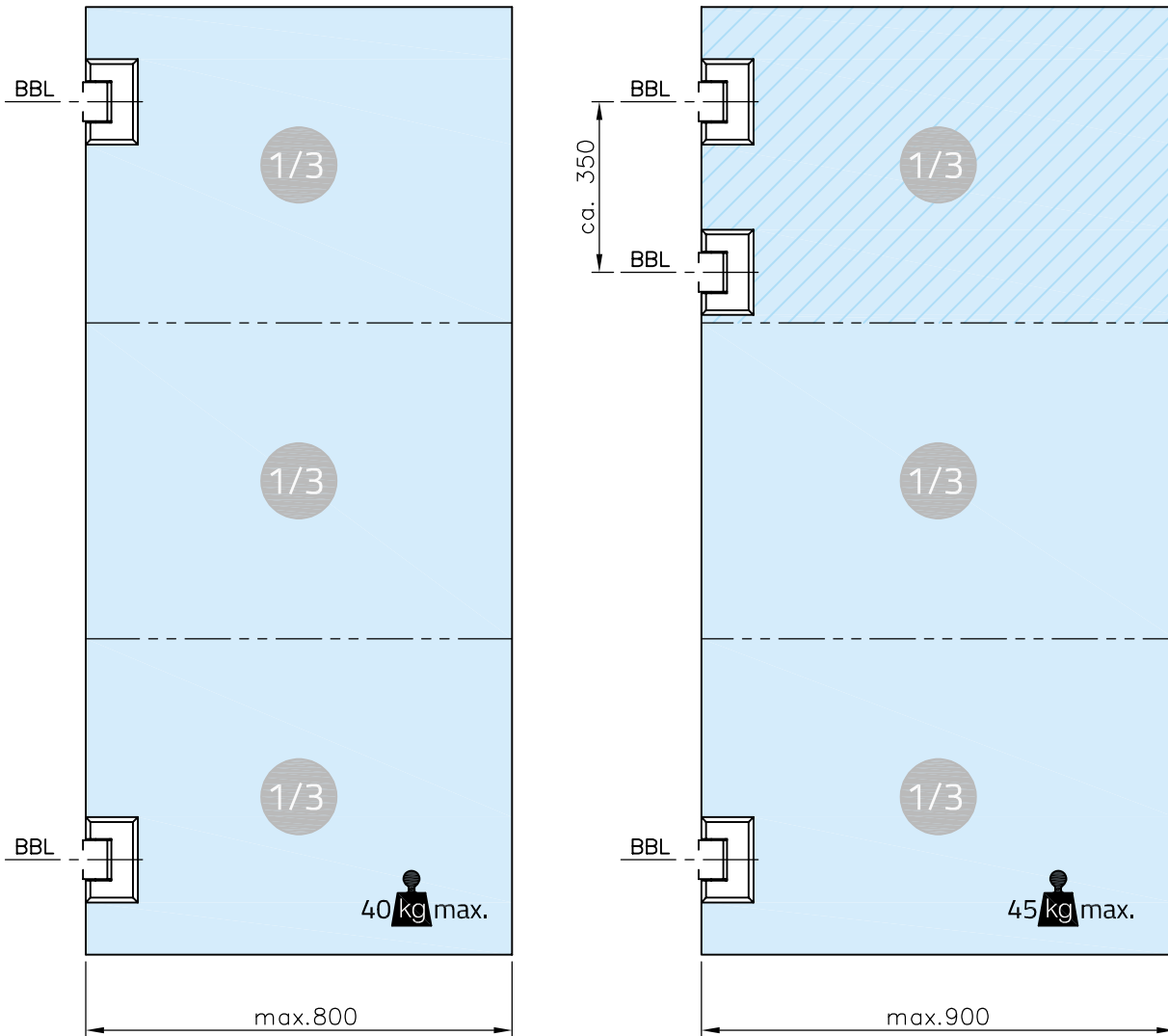


Empfehlungsmaße entsprechend *DIN 18268
Recommended dimensions according to *DIN 18268

<i>Glastürhöhe</i> <i>Glass door height</i>	<i>Abstand</i> <i>Zargenfalz - BBL(A)</i> <i>distance</i> <i>frame rebate - BBL(A)</i>	<i>Abstand</i> <i>BBL(A) - BBL(B)</i> <i>distance</i> <i>BBL(A) - BBL(B)</i>
1860 mm - 2110 mm	241 +1 mm	1435 mm ±0,5 mm
2111 mm - 2235 mm	241 +1 mm	1560 mm ±0,5 mm
2236 mm - 2360 mm	241 +1 mm	1685 mm ±0,5 mm

Art. 41.3012.090.10
Art. 41.3012.090.12

Breite/Ausladung:
Width/extension:



G-FITTINGS GmbH

Marie-Curie-Straße 16-18
46446 Emmerich am Rhein
T +49 (0)2822 962 0
F +49 (0)2822 962 221
E sales@g-fittings.com